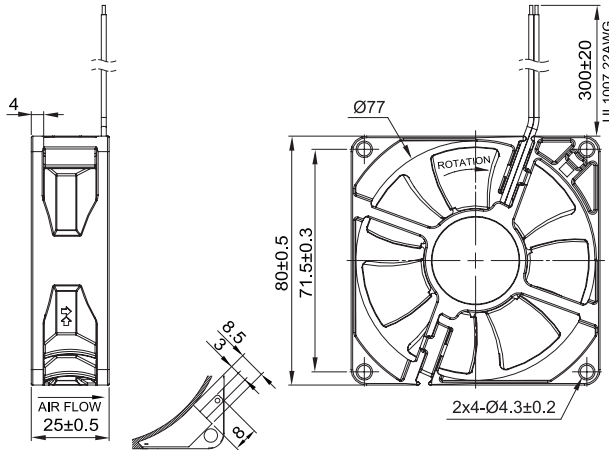


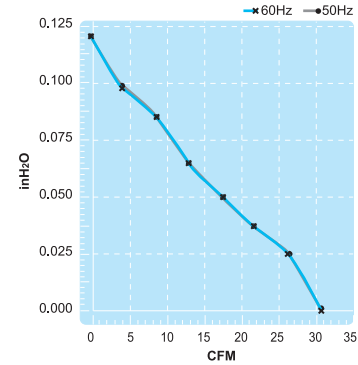
EC8025 Series.

Platic Impeller / Explosion Proof.

Size : 80 x 80 x 25
Unit : mm



(Axial Fan)



Electronically-Protected

Terminal or Lead Wire Type



Spec. Model	Rated Voltage V	Frequency Hz	Input Power W	Rated Current A	Locked Current A	Speed RPM	Maximum Air Flow m ³ /min.	Maximum Air Flow CFM	Maximum Pressure mmH ₂ O	Maximum Pressure InchH ₂ O	Noise dB	Weight kg
EC8025 -URM1D4Aex	115~230	50/60	2.8	0.06 (115V) 0.04 (230V)	0.070 (115V) 0.037 (230V)	3150	0.9	31	3.0	0.12	35	0.072